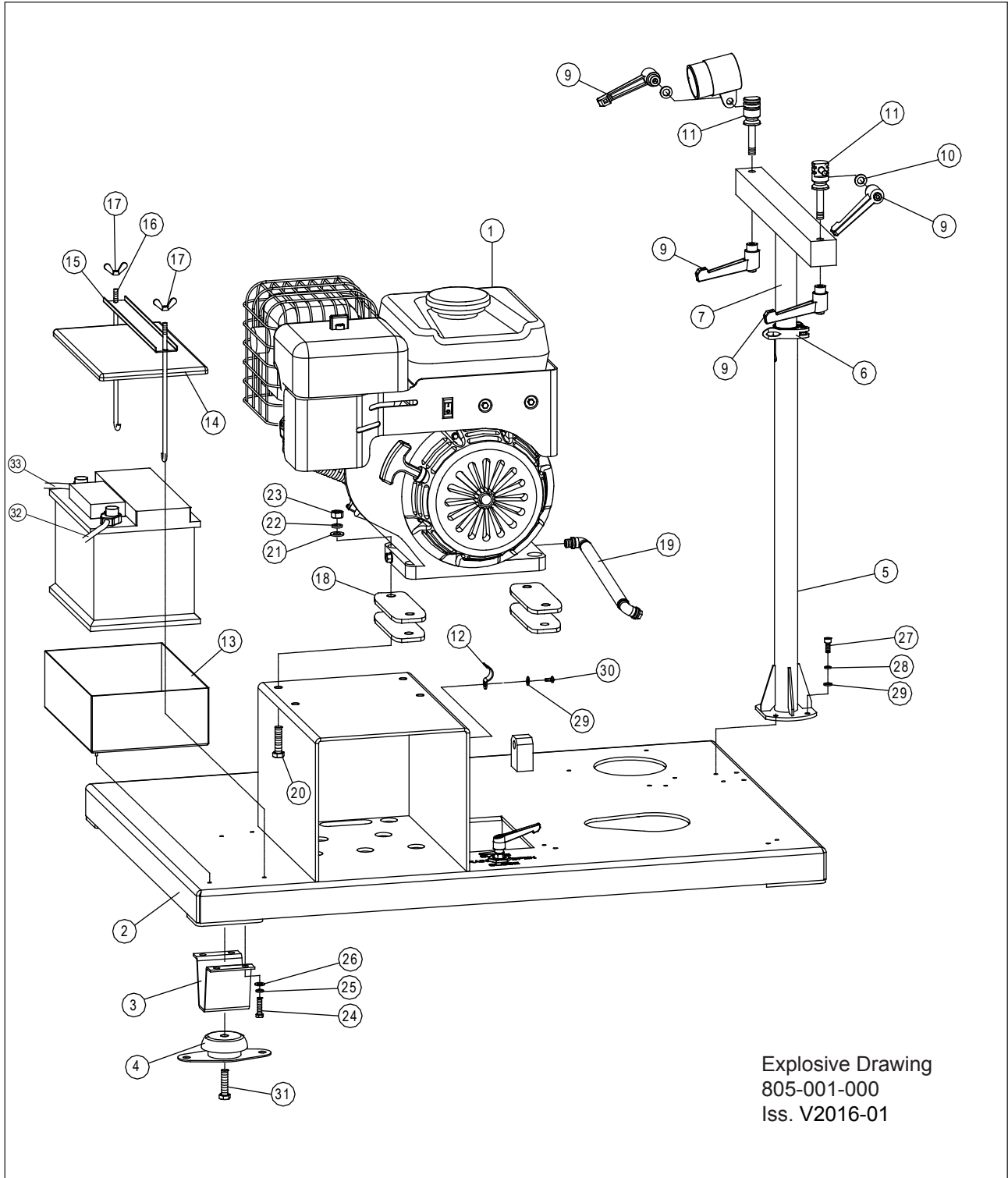


12. Explosive Drawing and Spare Part List

IMPORTANT: In case of order please give pos.no, part no. and part description.

Chassis / Engine

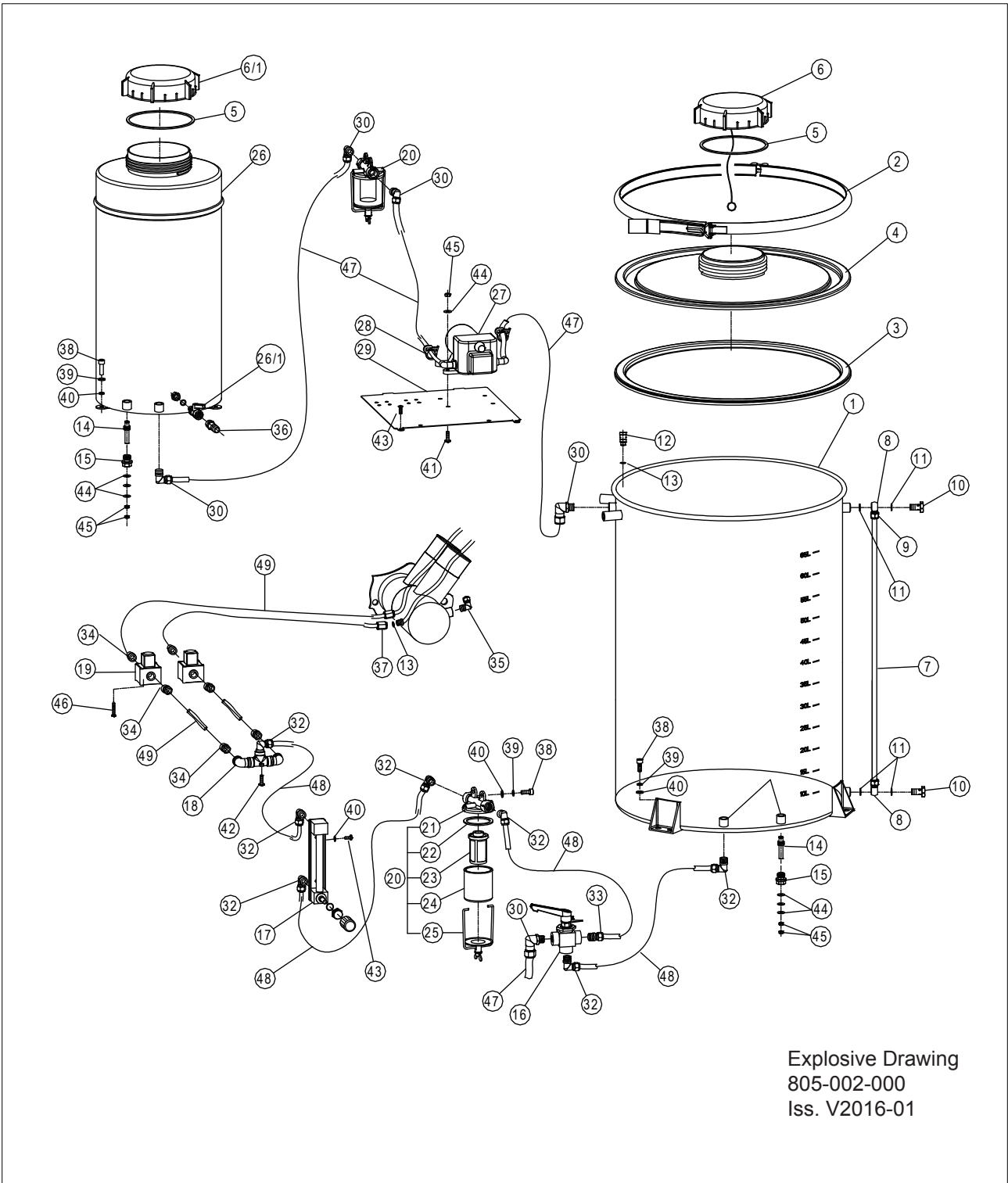


Chassis / Engine

805-001-000

	805-001-000	Chassis/Engine
1	805-001-010	Briggs & Stratton Engine, Model: 25T2
2	806-001-020	Frame
3	806-001-030	Foot
4	806-001-040	Rubber Buffer
5	806-001-050	Support Base
6	806-001-060	Locking Clamp
7	805-001-070	Telescopic Pole, Nozzle Support Bar
9	807-001-090	Locking Lever, M8
10	806-001-100	Bush
11	806-001-110	Pillar, M8
12	806-001-120	Pipe Hanger
13	806-001-130	Tray
14	806-001-140	Holder Plate
15	806-001-150	Securing Plate
16	806-001-160	Holder Rod
17		Win Nut, M6
18	805-001-180	Isolation Plate
19	805-001-190	Drain Pipe
20		DIN 933 M 10x50 Hexagon Screw
21		DIN 125 B10.4 Plain Washer
22		DIN 127 B10 Spring Washer
23		DIN 934 M10 Hexagon Nut
24		DIN 933 M 8x20 Hexagon Screw
25		DIN 127 B8 Spring Washer
26		DIN 125 B8.4 Plain Washer
27		DIN 912 M6x16 Hexagon Socket Screw
28		DIN 127 B6 Spring Washer
29		DIN 125 B 6.4 Plain Washer
30		DIN 7985 M6x8 Fillister Screw
31		DIN 933 M 12x45 Hexagon Screw
32	806-004-180	Battery Wire with Pole Binder (+Plus)
33	806-004-190	Battery Wire with Pole Binder (-Minus)

Solution System



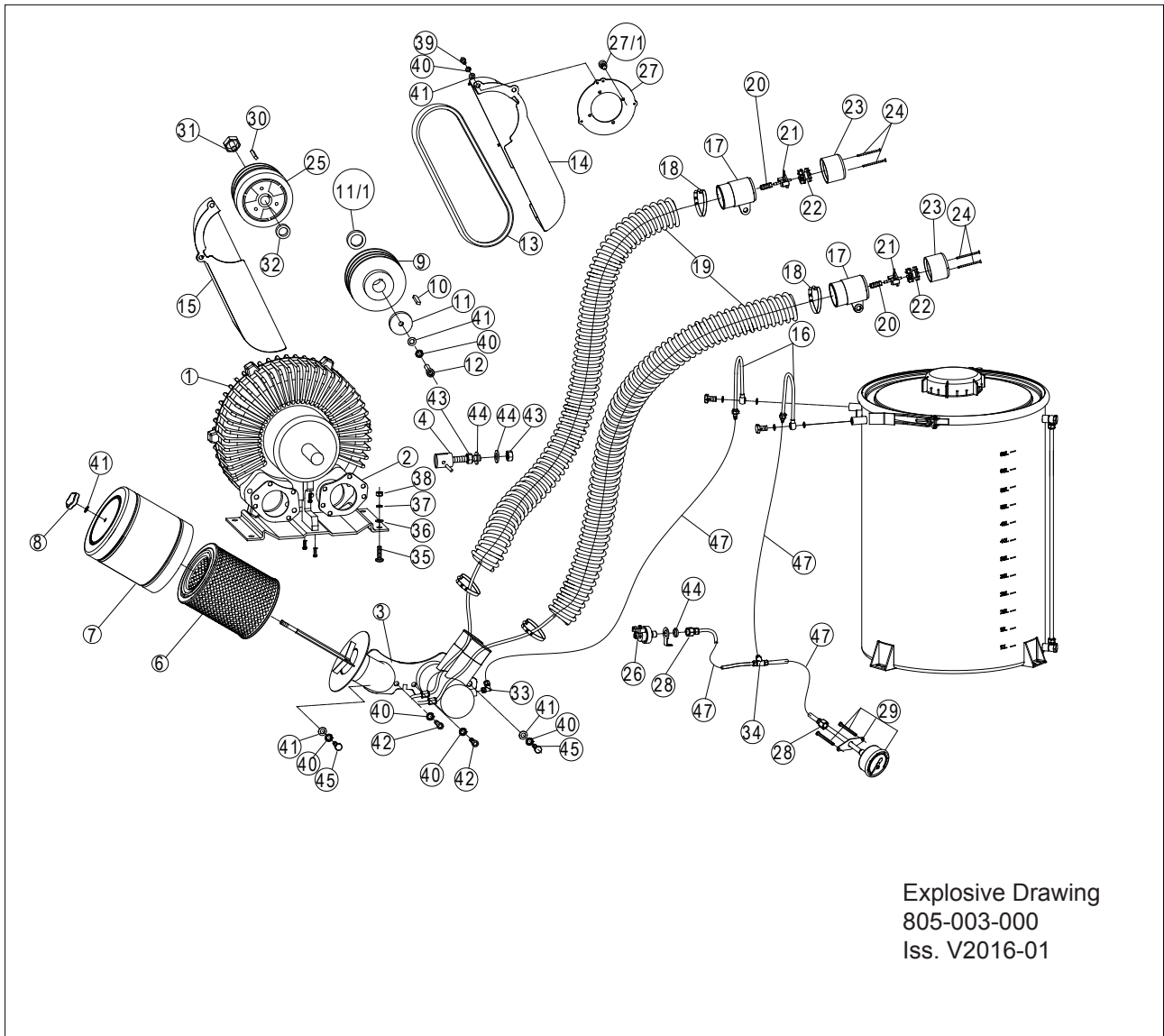
Explosive Drawing
805-002-000
Iss. V2016-01

Solution System

805-002-000

	805-002-000	Solution System
1	805-002-010	Tank 50 l
2	802-002-020	Cloure Ring
3	802-002-030	Cover Seal
4	806-002-040	Tank Cover
5	800-002-050	Cap Seal
6	806-002-060	Tank Cap
6/1	800-002-060	Tank Cap
7	805-002-070	Indicator Tube
8	800-002-080	Ring Tube Nipple
9		Retraing Nut, Ø 8XM11x1
10	909-137-000	Hollow Screw
11	909-118-000	Gasket
12	806-002-120	Cleaning Ball
13	935-41-000	O-Ring
14	806-002-140	Level Feeler
15	806-002-150	Sealing Screw
16	806-002-160	Solution Valve
17	805-002-170	Flow Meter
18	805-002-180	Solution Distributor
19	806-002-190	Solenoid Valve (V1-2)
20	802-005-020	Filter Assembly.
21	802-005-021	Filter Housing
22	800-005-022	Gasket
23	802-005-023	Filter
24	800-005-024	Glass Cup
25	802-005-025	Cup Holder
26	806-002-260	Flushing Tank, 15 l
26/1	601-003-000	Ball Valve G1/8"
27	806-002-270	Pump
28	806-002-280	Hose Clamp
29	805-002-290	Valve Suport Plate
30		Swivel Angle Screw Fitting Ø10xG1/4"
32		Angle Screw Fitting, Ø8xG1/4"
33		Straight Screw Fitting, Ø8xG1/4"
34		Straight Screw Fitting, Ø6xG 1/4"
35		Angle Screw Fitting, Ø6xG1/4"
36		Straight Screw Fitting, Ø10xG1/8" Cu
37		Retaining Nut, Ø6xM10x1
38		DIN 912 M6x16 Hexagon socket screw
39		DIN 127 B6 Spring Washer
40		DIN 125 B6.4 Plain Washer
41		DIN 7985 M4x16 Fillister Screw
42		DIN 7985 M4x12 Fillister Screw
43		DIN 7985 M4x8 Fillister Screw
44		DIN 125 B4.2 Plain Washer
45		DIN 934 M4 Hexagon Nut
46		Tapping Screw, ISO07049
47		Water Tube, Ø12 (2m)
48		Solution Tube, Ø8x1 (2m)
49		Solution Tube, Ø6x1 (2m)

Blower / Air System

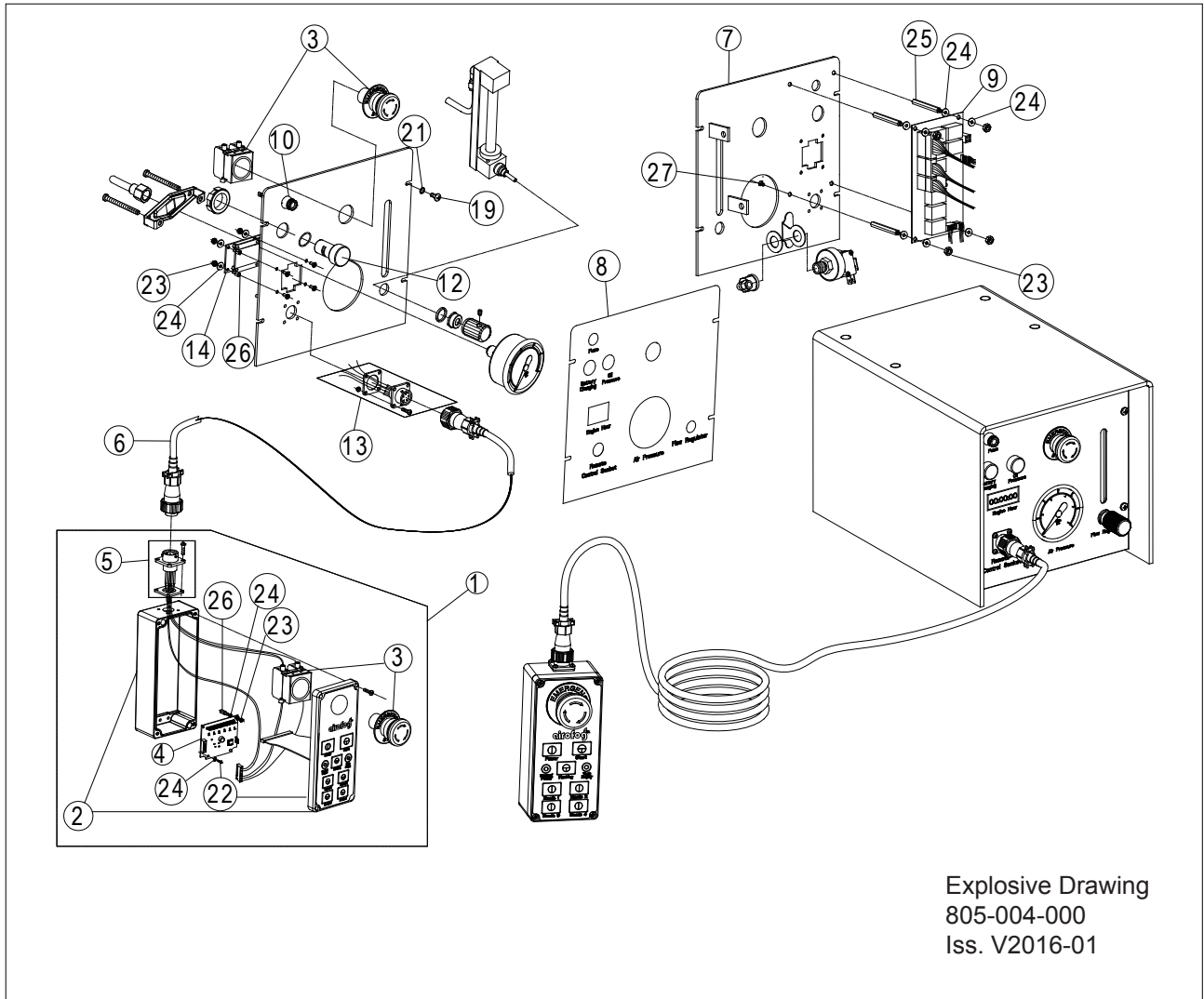


Blower / Air System

805-003-000

	805-003-000	Blower/Air System
1	805-003-010	Side Channel Blower EHS-601 (M1)
2	800-003-020	Gasket
3	805-003-030	Air Inlet / Outlet Manifold
4	805-003-040	Tension Bolt
6	800-003-060	Filter Cartridge
7	800-003-070	Hood
8	800-001-130	Knob Nut M8
9	806-003-090	V-belt Pulley
10	805-003-100	Key
11	805-003-110	Disc
11/1	807-003-111	Spacer Ring
12		DIN 912 M8x20, Hexagon Socket Screw
13	805-003-131	V-belt
14	805-003-140	Belt Cover, Top
15	805-003-150	Belt Cover, Bottom
16	805-003-160	Pressure Pipe
17	800-004-020	Nozzle Holder
18	800-004-030	Hose Clamp
19	805-003-190	Air Hose, 130cm
20	240-017-010	Protective Spring
21	806-003-210	Nozzle
22	240-037-000	Diffusor
23	806-003-230	Nozzle Screen
24	240-043-000	Countersunk Screw
25	806-003-250	Centrifugal Clutch
26	806-003-260	Manometric Switch
27	805-003-270	Disc, Belt Cover
27/1	805-003-271	Set Screw
28		Straight Female Fitting, R1/4"xØ6
29	800-004-070	Manometer
30	807-003-300	Key
31	805-003-310	Set Screw
32	807-003-320	Spacer Ring
33		Angle Screw Fitting, Ø6xG1/4"
34		T-Fitting, Ø6
35		DIN 933 M10x30 Disc Screw
36		DIN 125 B10.4 Plain Washer
37		DIN 127 B10 Spring Washer
38		DIN 934 M10 Disc Hexagon Nut
39		DIN 912 M8x10 Hexagon Socket Screw
40		DIN 127 B8 Spring Washer
41		DIN 125 B8.4 Plain Washer
42		DIN 912 Hexagon Socket Screw M8x20
43		DIN 934 M10 Hexagon Nut
45		DIN 933 M 8x20 Hexagon Screw
46		Air Tube, PA12 Ø6x1

Electrical Installation

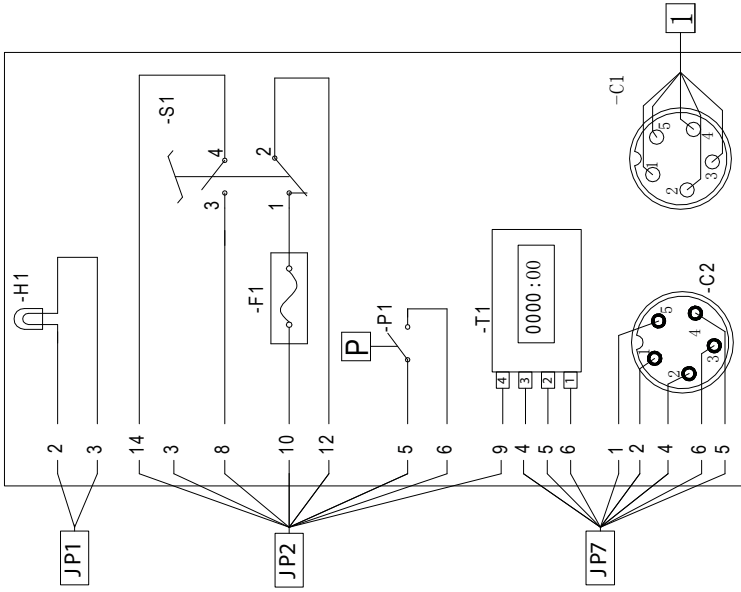


Electrical Installation

805-004-000

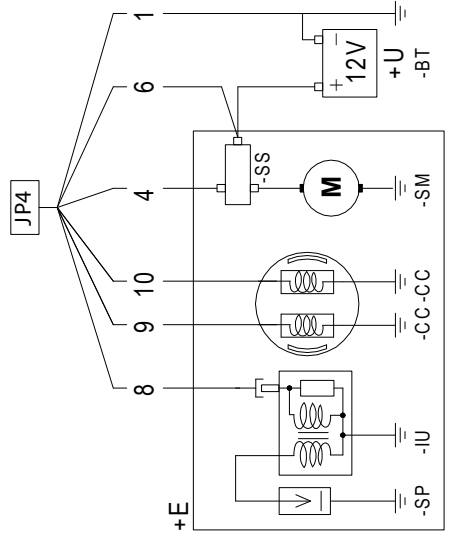
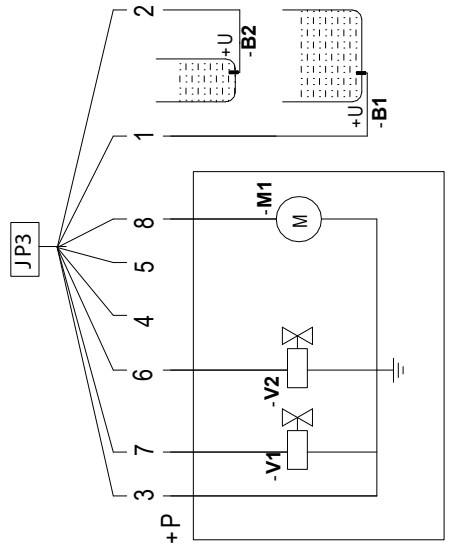
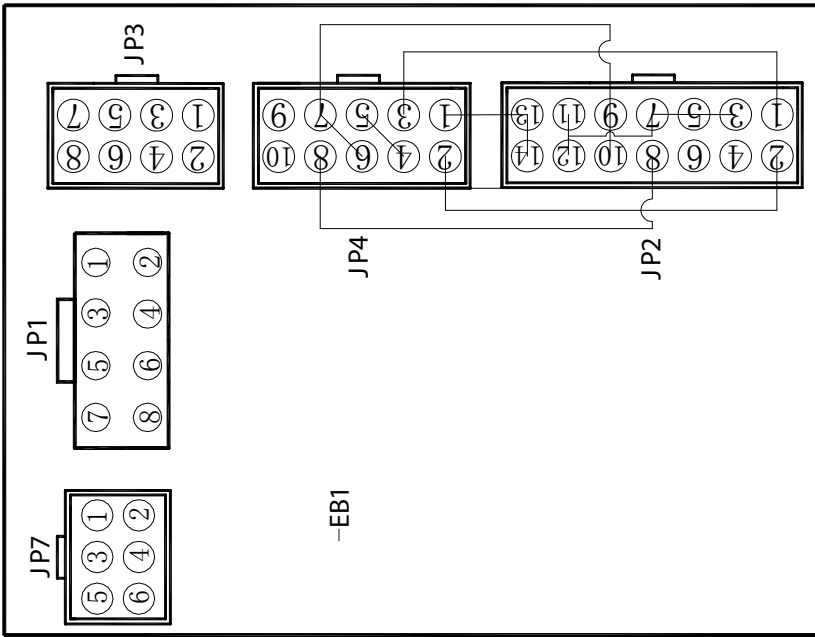
	805-004-000	Electrical Installation
1	806-004-010	Remote Control Assembly (1-5)
2	806-004-020	Control Panel (EB3)
3	806-004-030	Emergency Stop
4	805-004-040	Remote Control (EB2)
5	806-004-050	Socket Assembly
6	806-004-060	Cable with Plug, 5m
7	806-004-070	Front Plate
8	805-004-080	Front Plate Label, UM-2
9	806-004-090	Main PCB (EB1)
10	806-004-100	Fuse
12	806-004-120	Indicating Lamp "Green"
13	806-004-130	Socket Assembly
14	806-005-140	Hour Meter, LED
15	806-004-180	Battery Wire with Pole Binder (+Plus)
16	806-004-190	Battery Wire with Pole Binder (-Minus)
19		DIN 7985 M4x10 Fillister Screw
21		DIN 125 B4.2 Plain Washer
22		DIN 7985 M4x5 Fillister Screw
23		DIN 934 M3 Hexagon Nut
24	260-014-000	Washer
25		M4x60+6
26		M4x5+6
27		Countersunk Screw M3x8

+P

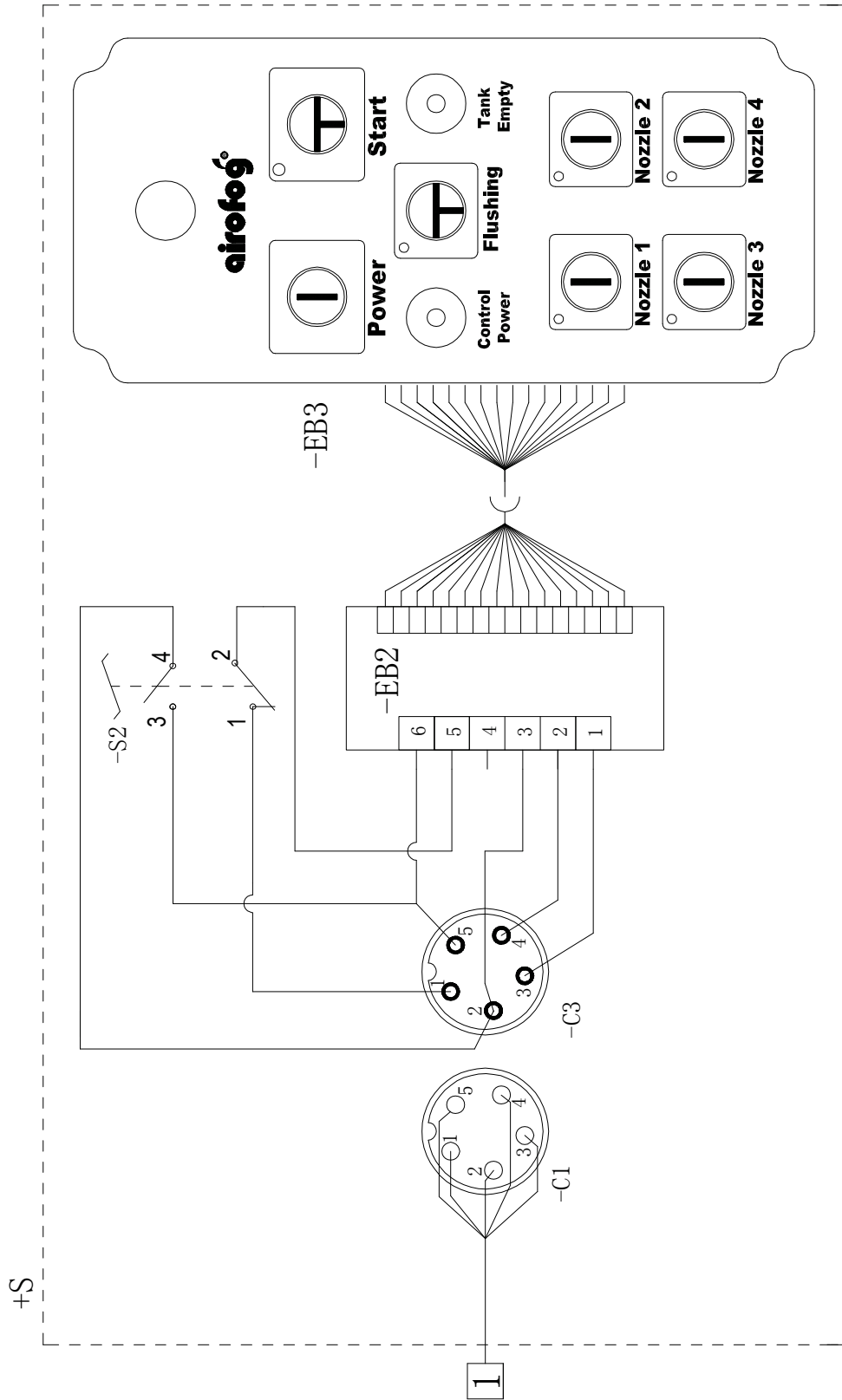


Location	
+E	Engine
+U	Machine
+P	Control Box
+S	Remote Box
-T1	Running Hour Meter
-H1	LED Lamp
-S1	Engine/Emergency Stop
-S2	Engine/Emergency Stop
-F1	Fuse
-P1	Manometric Switch
-C1	Remote Control Cable
-C2	Socket at Control Box
-C3	Socket at Remote Box
-V1	Solenoid Valve
-V2	Solenoid Valve
-M1	Pump
-B1	Level Feeler
-B2	Level Feeler
-SP	Sparkplug
-IU	Ignition unit
-CC	Charging Coil
-SM	Start Motor
-SS	Start Solenoid
-BT	Battery
-EB1	PCB 1
-EB2	PCB 2
-EB3	PCB 3

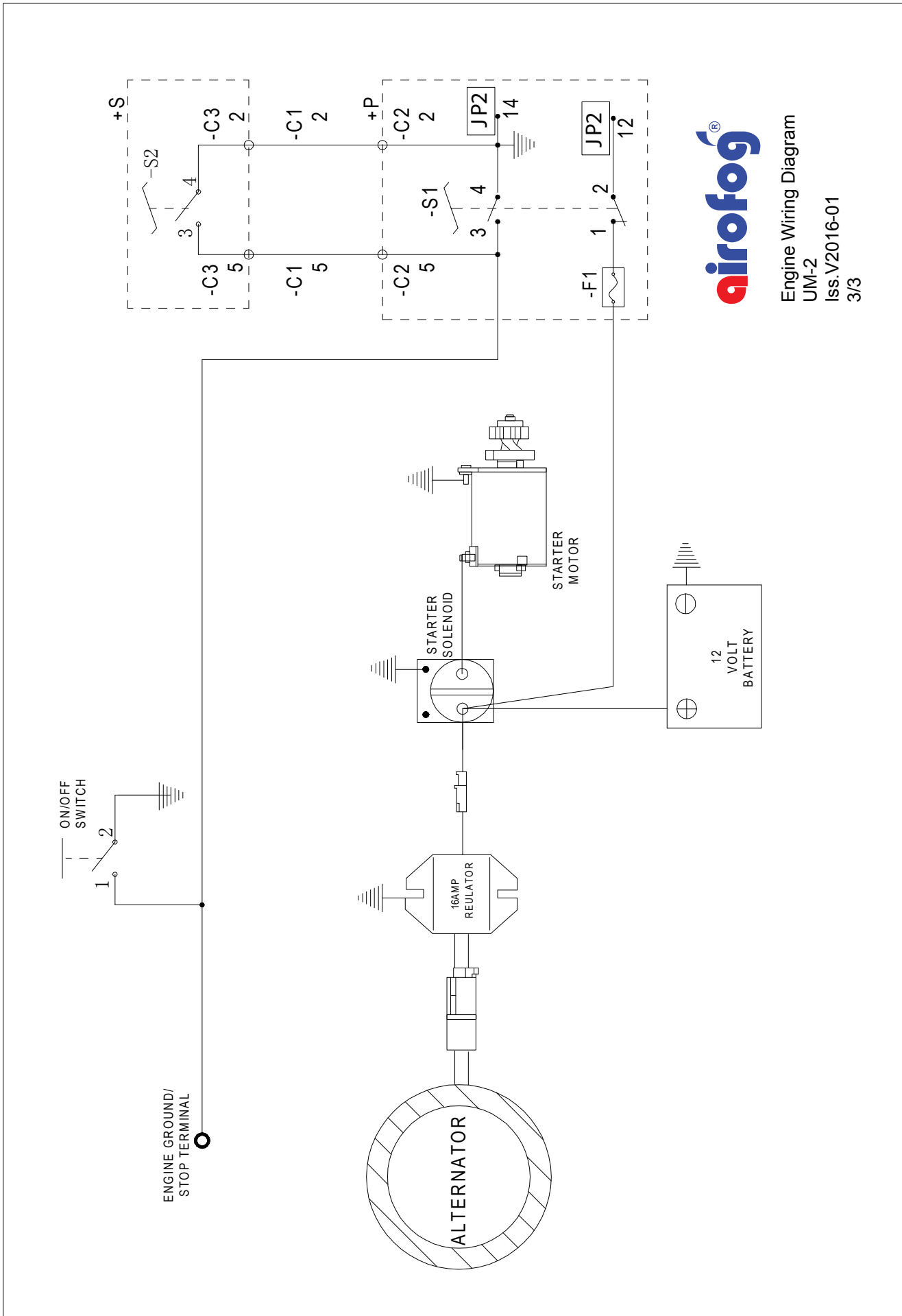
+P



Wiring Diagram
 UM-2
 Iss. V2016-01
 1/3

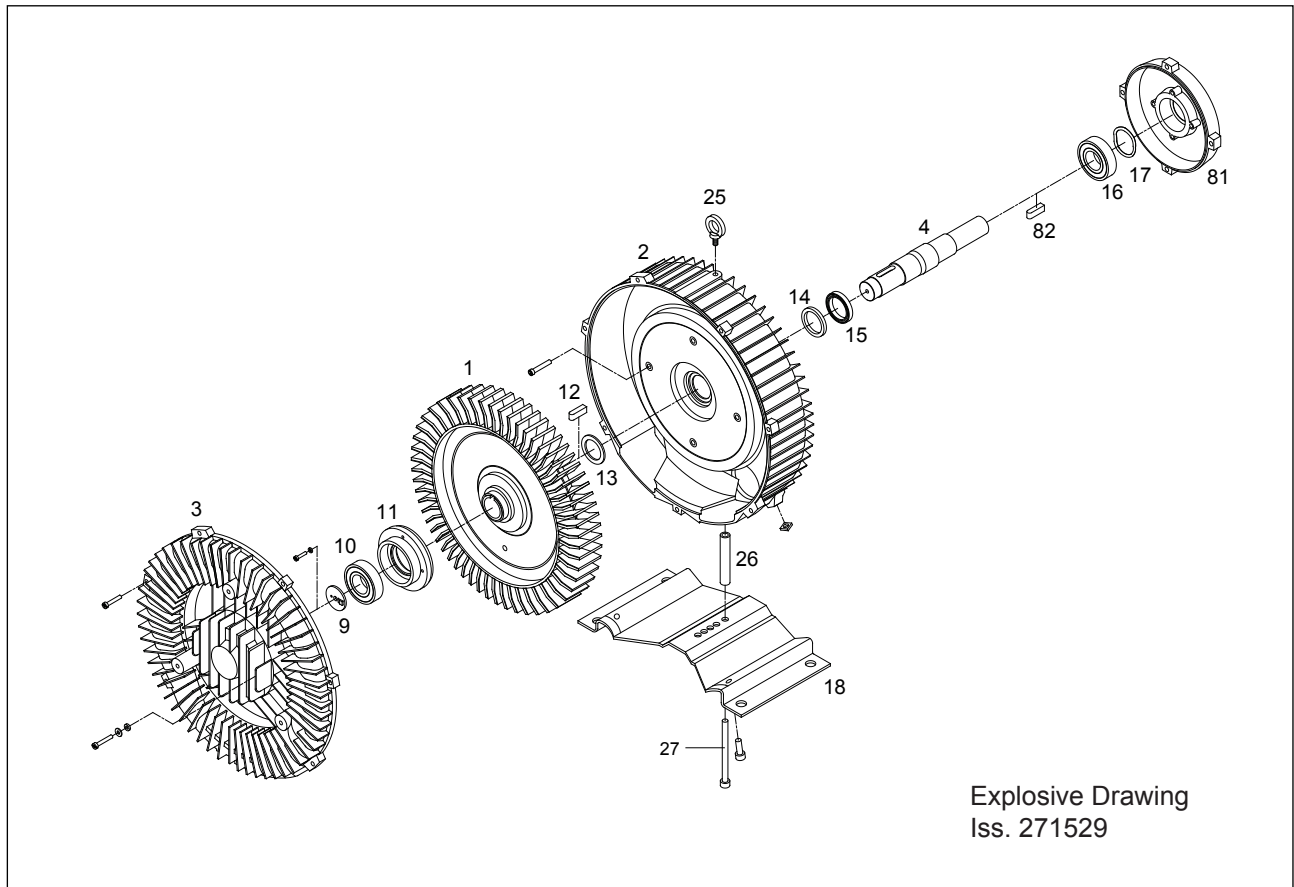


Wiring Diagram
UM-2
Iss. V2016-01
2/3



Engine Wiring Diagram
UM-2
Iss.V2016-01
3/3

Side-channel Blower



- | | |
|-------------------|-------------------|
| 1. impeller | 15. oil seal |
| 2. blower housing | 16. back bearing |
| 3. housing cover | 17. dished spring |
| 4. shaft | 18. base plate |
| 9. end plate | 25. ring |
| 10. front bearing | 26. support tube |
| 11. bearing seat | 27. bolt |
| 12. key | 81. back cover |
| 13. spacer ring | 82. key |
| 14. felt disc | |