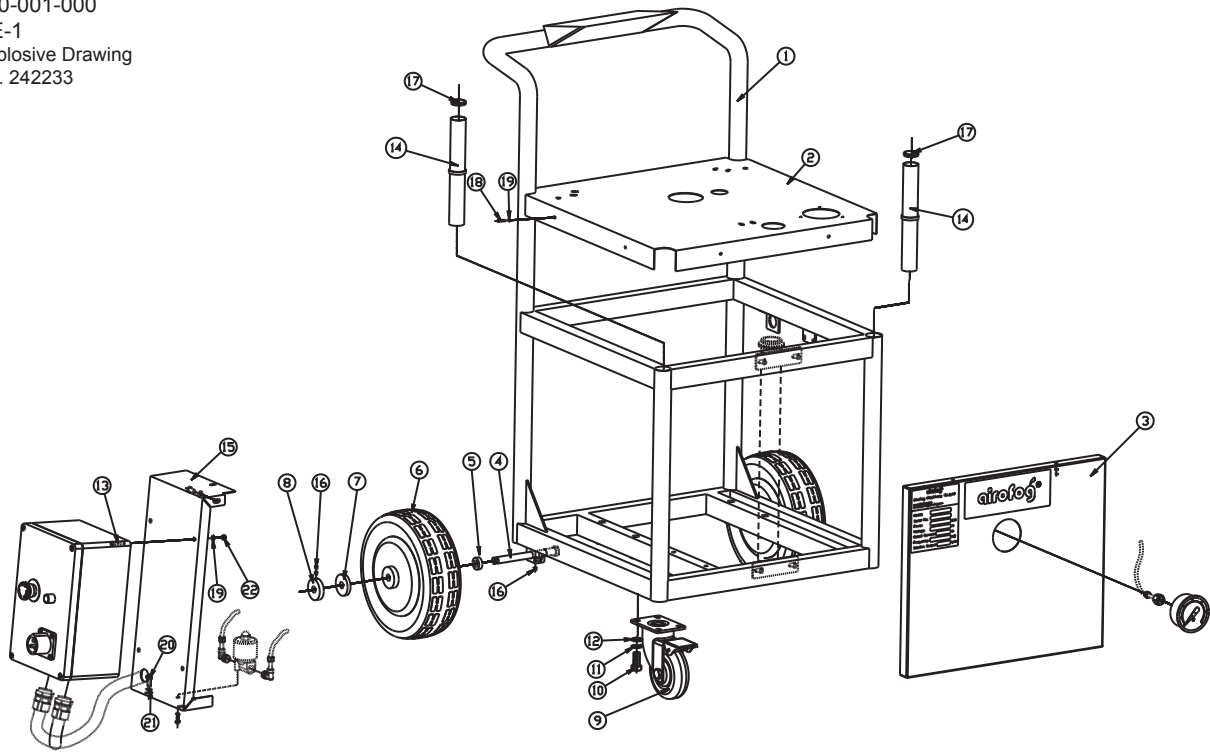


Explosive Drawing and Spare Part List

Chassis

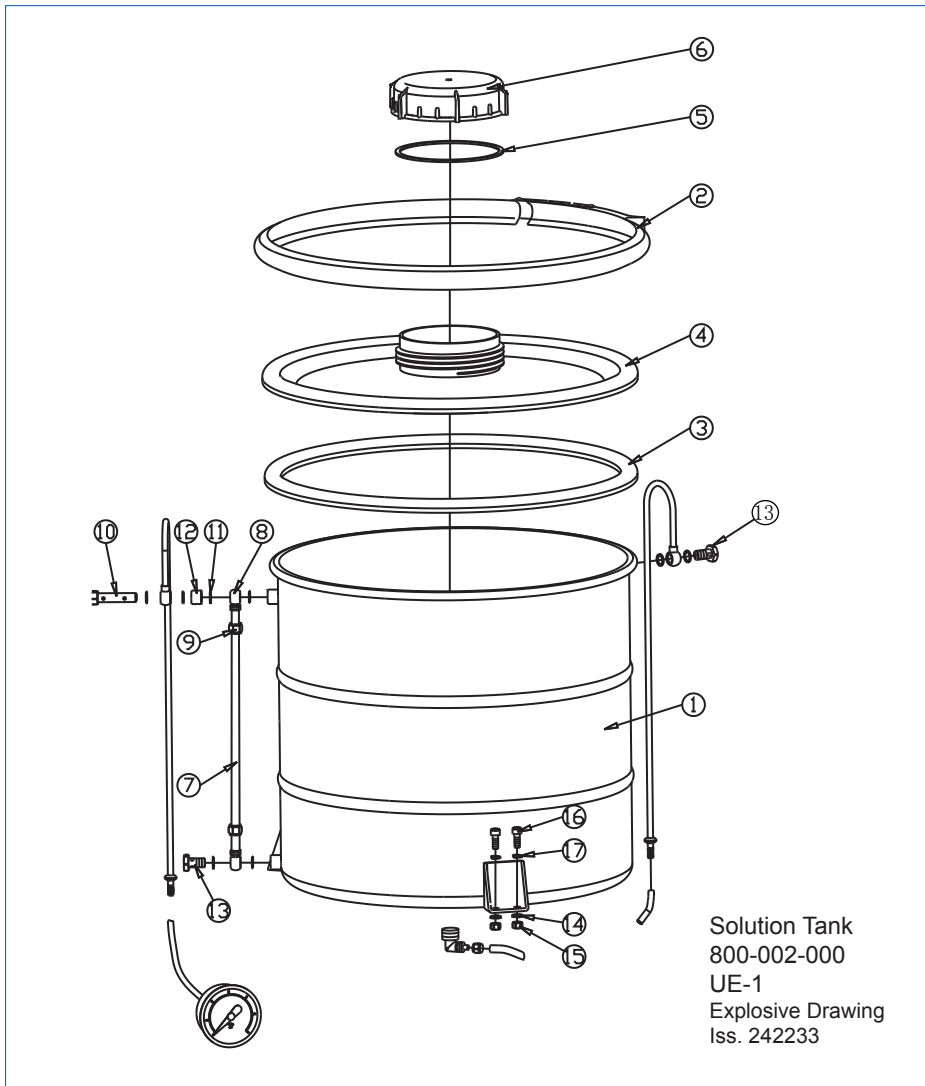
Chassis
800-001-000
UE-1
Explosive Drawing
Iss. 242233



Pos. no.	Part no.	Descriptions
	800-001-000	Chassis
1	800-001-010	Frame
2	800-001-020	Top Plate
3	800-001-030	Front Plate
4	800-001-040	Bolt
5	800-001-050	Spacer Ring
6	800-001-060	Wheel
7	800-001-070	Disc 1mm
8	800-001-080	Adjusting Ring
9	802-001-090	Steering Roller
10		Screw M8
11		Spring Washer
12		Washer
13		Screw
14	800-001-140	Rod
15	800-001-150	Control Box Support
16		Set Screw M5x5
17	510-001-014	Plug
18		Fillister Head Screw M4x12
19		Washer Ø8xØ4.5 t1
20		Allan Head Screw M6x15
21		Washer Ø6.4
22		Nut M6

Explosive Drawing and Spare Part List

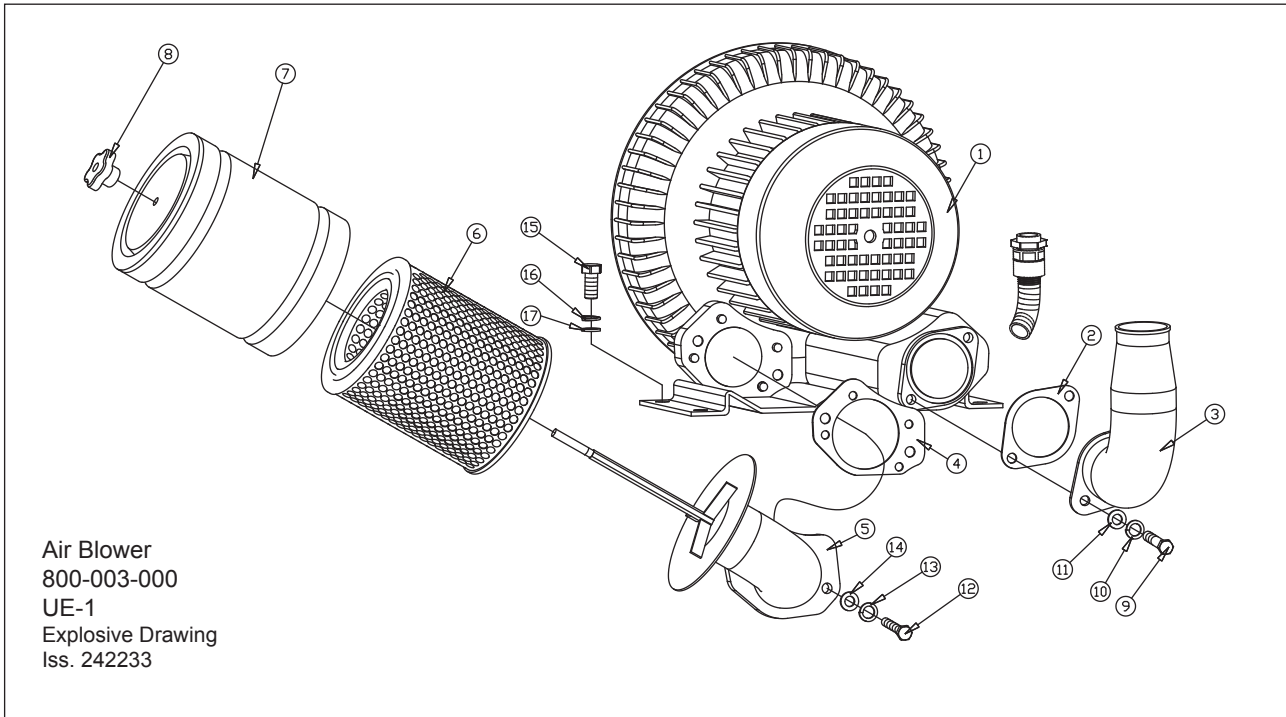
Solution Tank



Pos. no.	Part no.	Descriptions
	800-002-000	Solution Tank
1	800-002-010	Tank 40L
2	800-002-020	Cloure Ring
3	800-002-030	Conver Seal
4	800-002-040	Tank Cover
5	800-002-050	Cap Seal
6	800-002-060	Tank Cap
7	800-002-070	Indicator Tube Ø8x1
8	800-002-080	Ring Tube Nipple Ø8
9		Retraining Nut Ø8XM11x1
10	800-002-100	Hollow Screw Long
11	935-118-000	Gasket
		Allan Head Screw M6x15
		Spring Washer Ø6.5
12	800-002-012	Spacer
13	935-137-000	Hollow Screw
14		Washer Ø6.4
15		Nut M6 t5

Explosive Drawing and Spare Part List

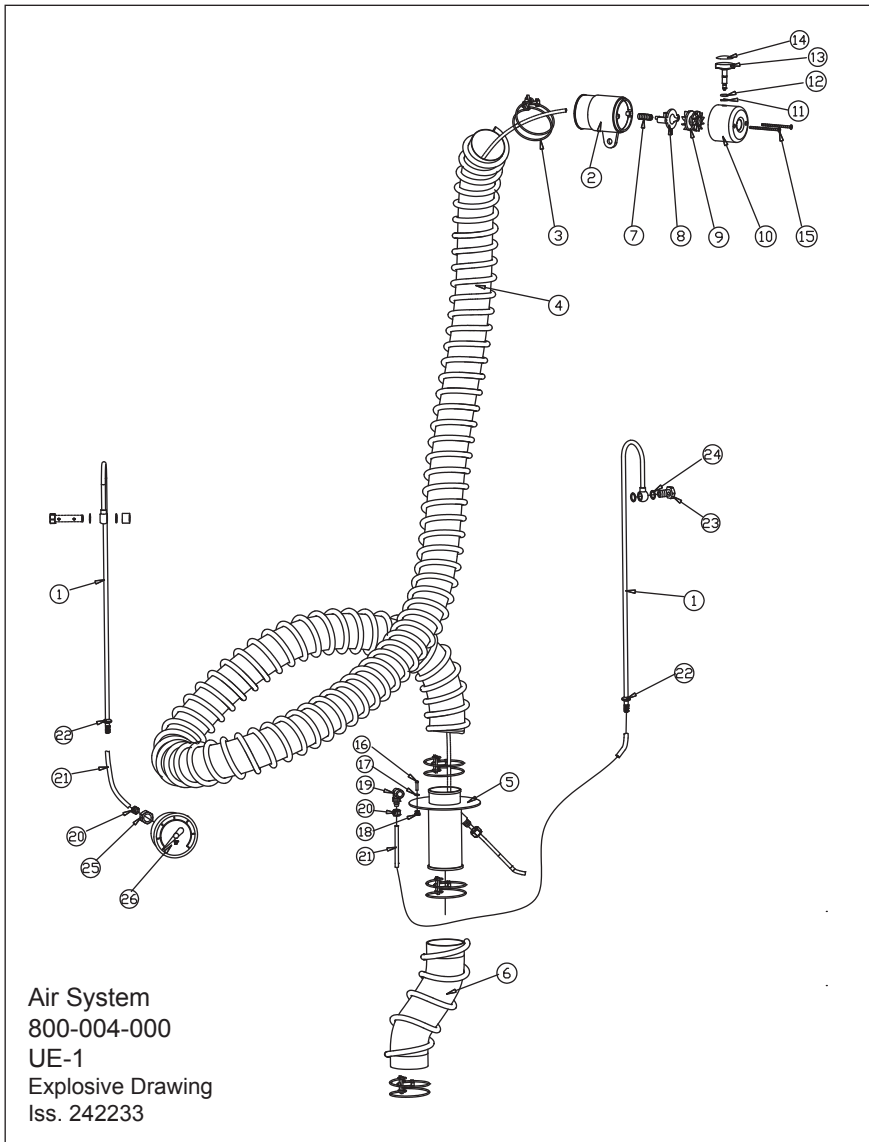
Air Blower



Pos. no.	Part no.	Descriptions
	800-003-000	Air Blower
1	800-003-010	Motor Blower
2	800-003-020	Outle Gasket
3	800-003-030	Air Outle Pipe
4	800-003-040	Inle Gasket
5	800-003-050	Air Inle Piece
6	800-003-060	Filter Cartridge
7	800-003-070	Hood
8	800-001-130	Knob Nut M8
9		Hexagon Screw M6x20
10		Spring Washer Ø12xØ4.5 t1
11		Washer Ø6.4xØ4.5 t1
12		Hexagon Screw M8x20
13		Spring Washer Ø12xØ4.5 t1
14		Washer Ø8 t1
15		Hexagon Screw M12x25
16		Spring Washer Ø13
17		Washer Ø13

Explosive Drawing and Spare Part List

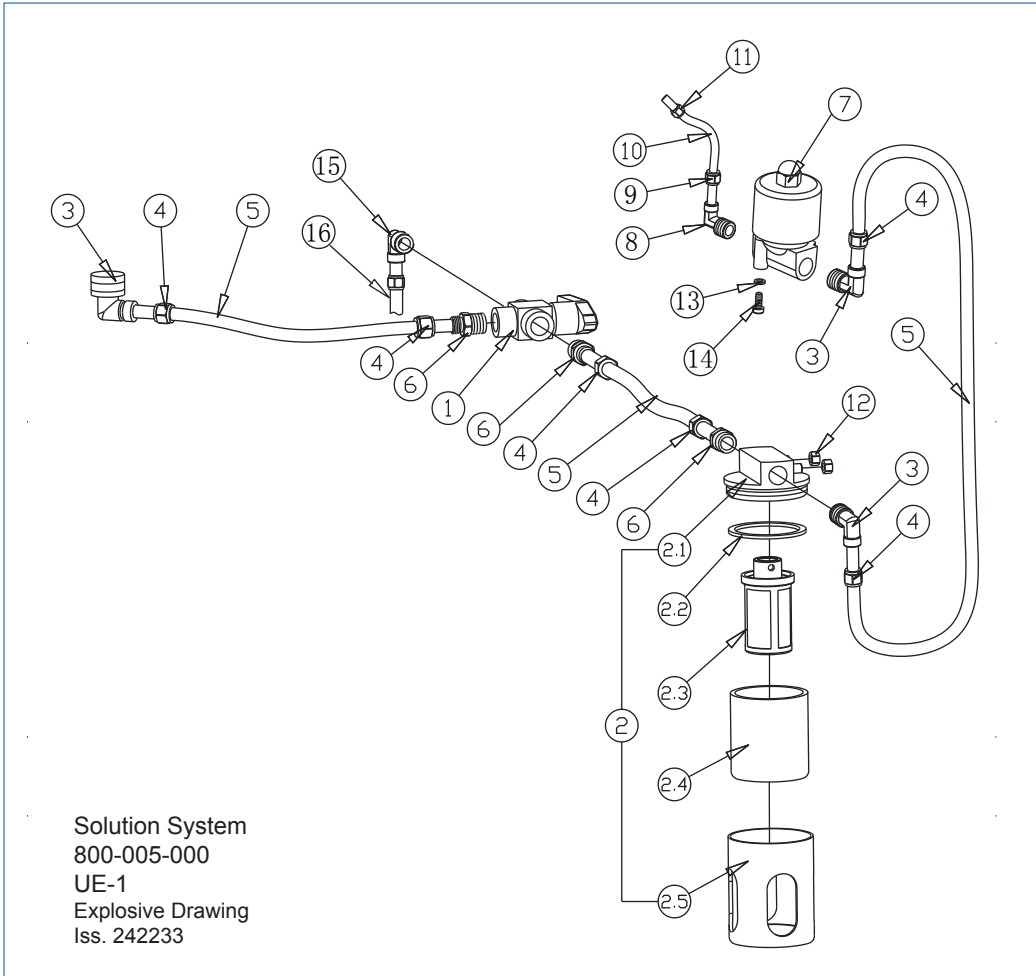
Air System



Pos. no.	Part no.	Descriptions	Pos. no.	Part no.	Descriptions
	800-004-000	Air System			
1	800-004-010	Pressure pipe	14	240-042-000	Label (+ -)
2	800-004-020	Nozzle Holder	15	240-043-000	Countersunk Sdrew M3x50
3	800-004-030	Clamp	16	935-036-000	Fillster Head Screw M4x12
4	800-004-040	Air Hose	17	900-019-000	Washer Ø6xØ4.5 t1
5	800-004-050	Distributor Piece	18	935-131-000	Hexagon Nut M4
6	800-004-060	Air Hose	19		Angle Screw Fitting Ø8x1XR1/4"
7	240-044-000	Protective Spring	20		Retraining Nut Ø8XM11x1
8	240-038-000	Nozzle	21		Air Tube Ø8x1
9	240-037-000	Diffusor	22	935-080-000	Grommet
10	240-036-000	Nozzle Screen	23	935-137-000	Hollow Screw M10x1
11	240-040-000	E-Ring	24	935-118-000	Washer Ø10xØ13.5 Cu
12	240-041-000	O-Ring	25		Fitting Female G1/4"-19/Male M11x1
13	240-039-000	Flow Regulator Needle	26	800-004-070	Manometer

Explosive Drawing and Spare Part List

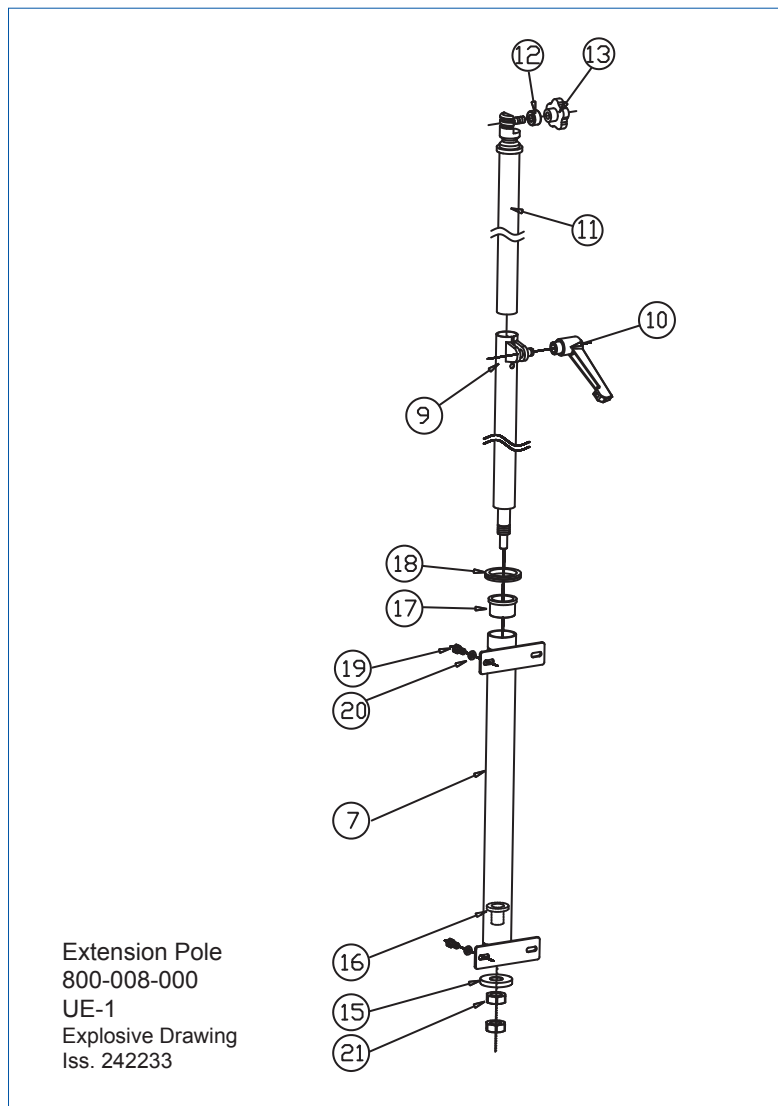
Solution System



Pos. no.	Part no.	Descriptions
	800-005-000	Solution System
1	800-005-010	Solution Valve
2	800-005-020	Filter Cpl.
2.1	800-005-021	Filter Housing
2.2	800-005-022	Gasket
2.3	800-005-023	Filter
2.4	800-005-024	Glass Cup
2.5	800-005-025	Cup Holder
3		Angle Screw Fitting Ø8x1XG1/4"
4		Retraining Nut Ø8XM11x1
5		Solution Tube Ø8x1
6		Straight Screw Fitting Ø8xG1/4"
7	800-005-070	Solenoid Valve
8		Angle Screw Fitting Ø8xG1/4"
9		Retraining Nut Ø6XM8x.75
10		Solution Tube Ø6x1
11		Retraining Nut Ø6XM10x1
12		Nut M5
13		Washer
14		Screw
15		Angle screw fitting Ø12xG1/4"
16		Hose Ø12

Explosive Drawing and Spare Part List

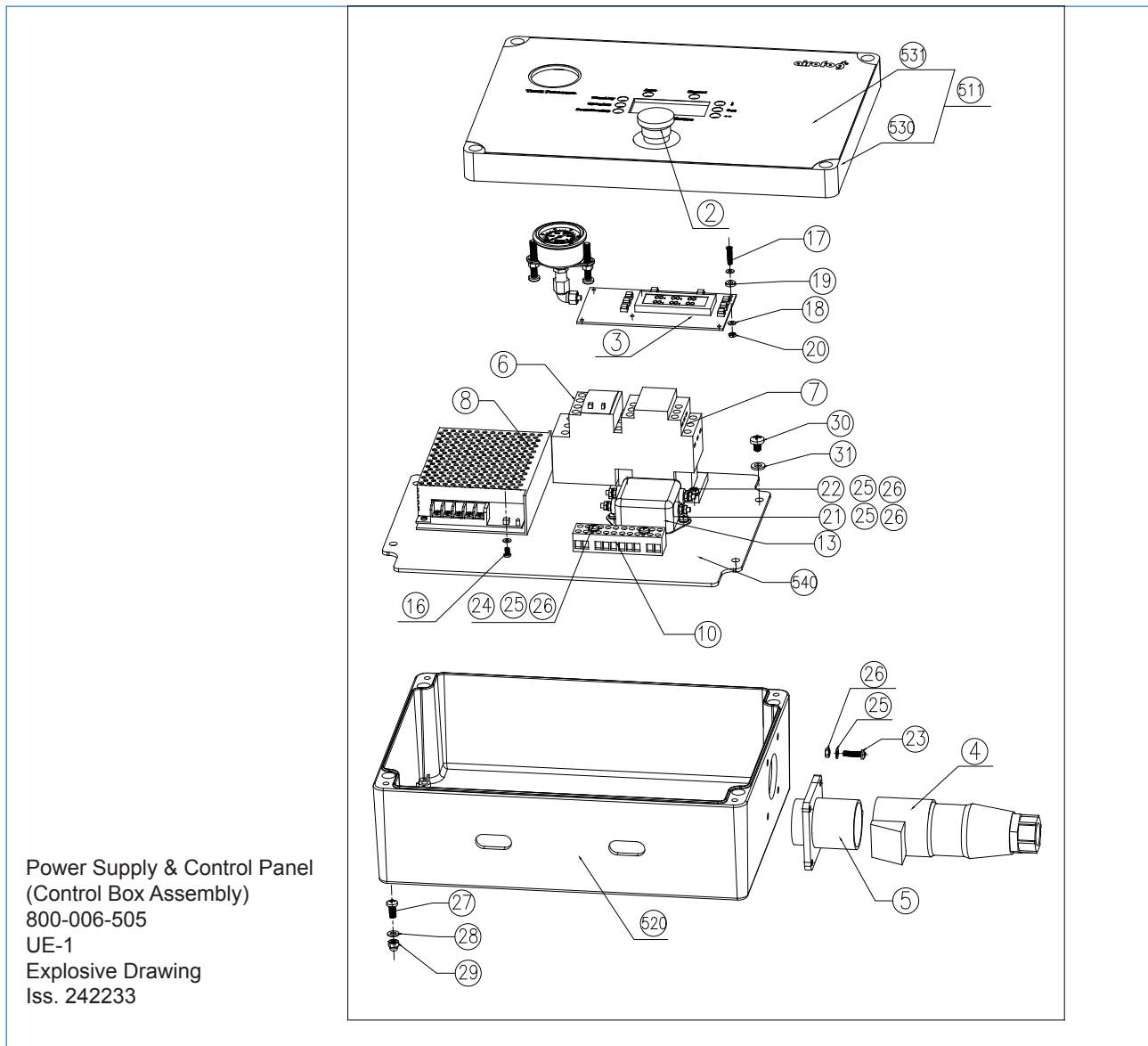
Extension Pole



Pos. no.	Part no.	Descriptions
	800-008-000	Extension Pole
7	800-008-070	Support Base
9	800-008-090	Extension Shift
10	800-008-100	Locking Level
11	800-008-110	Telescopic Pole
12	800-001-120	Spacer
13	800-001-130	Star Handle
15	800-008-150	Ring
16	800-008-160	Bush
17	800-008-170	Bush
18	603-003-000	Seal
19	800-008-190	Screw
20	800-008-200	Washer
21	800-008-210	Nut M16x1.5

Explosive Drawing and Spare Part List

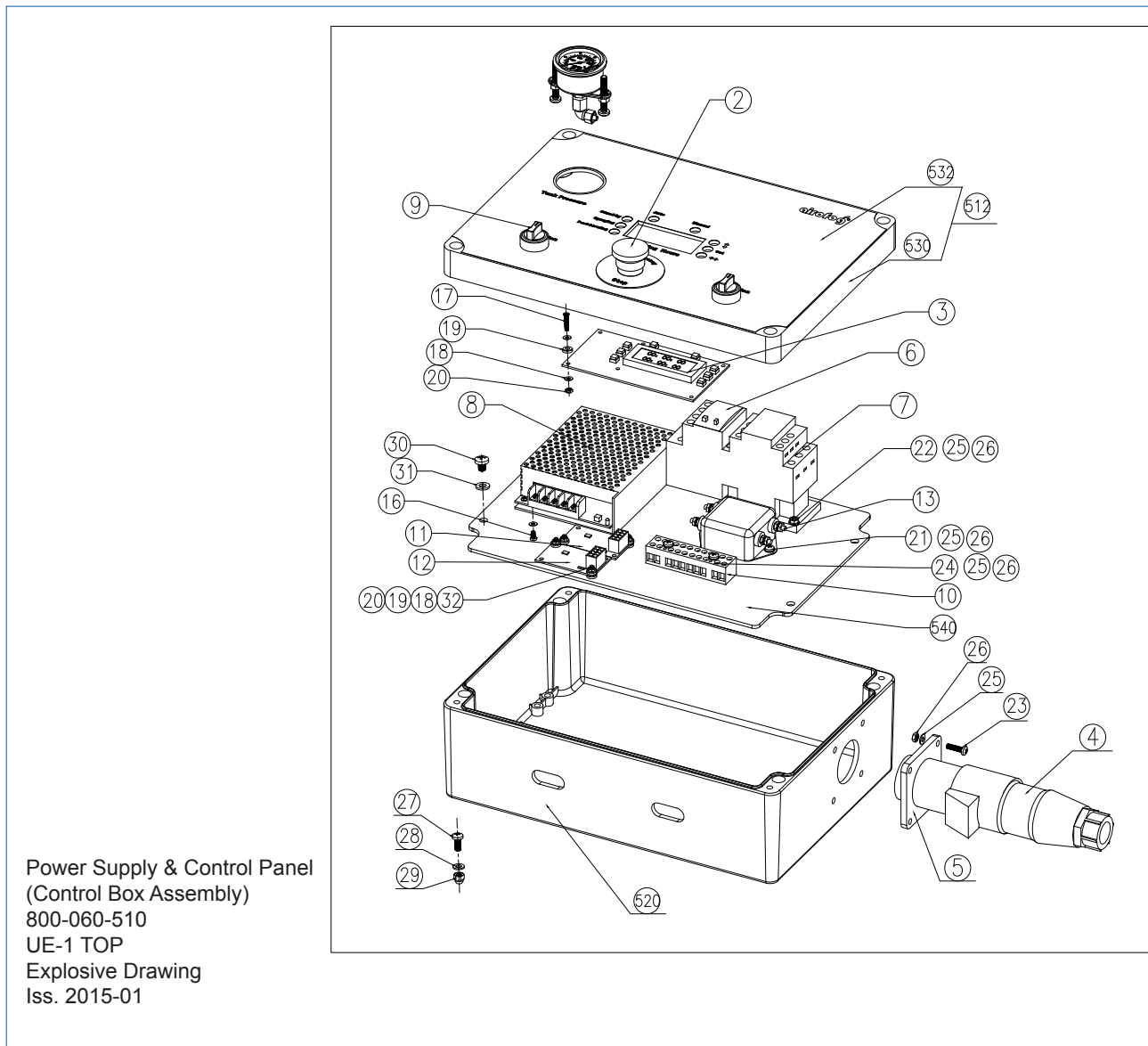
Power Supply and Control Panel



Pos. no.	Part no.	Descriptions
	800-006-000	Main Supply
1	800-006-010	Main Switch Box with Front Cover
2	800-006-020	Emergency Stop Button
3	800-006-030	Power Indicating Light
4	800-006-040	Plug Typ 2623 16A-5P (not show)
5	800-006-050	Socket Typ 535 16A-5P
6	800-006-060	Thermal Overload Relay LRD21C
7	800-006-070	Contactor LC1D18M7C 7.5kW 380V
8	800-006-080	Transformer
9	800-006-090	Relay FUJI JQX-13F-2Z
10	800-006-100	Connecting Element

Explosive Drawing and Spare Part List

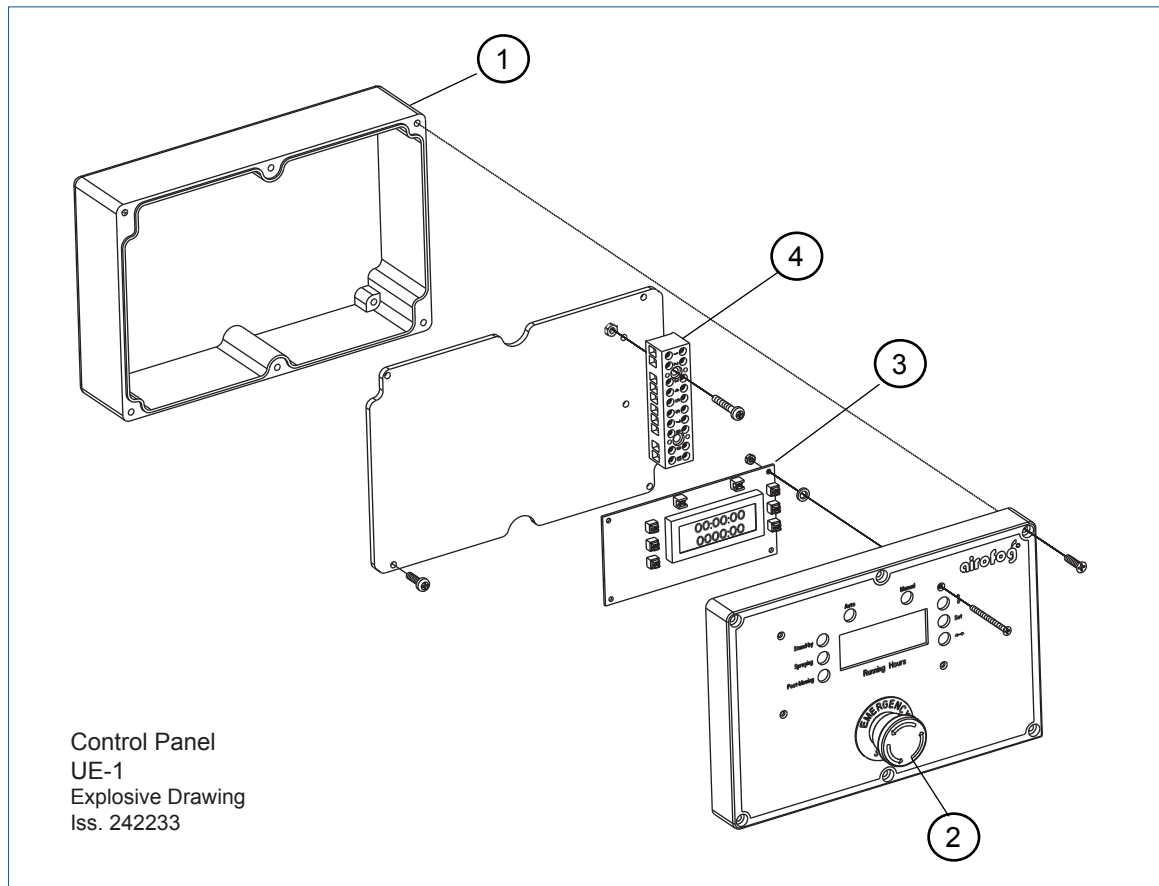
Power Supply and Control Panel



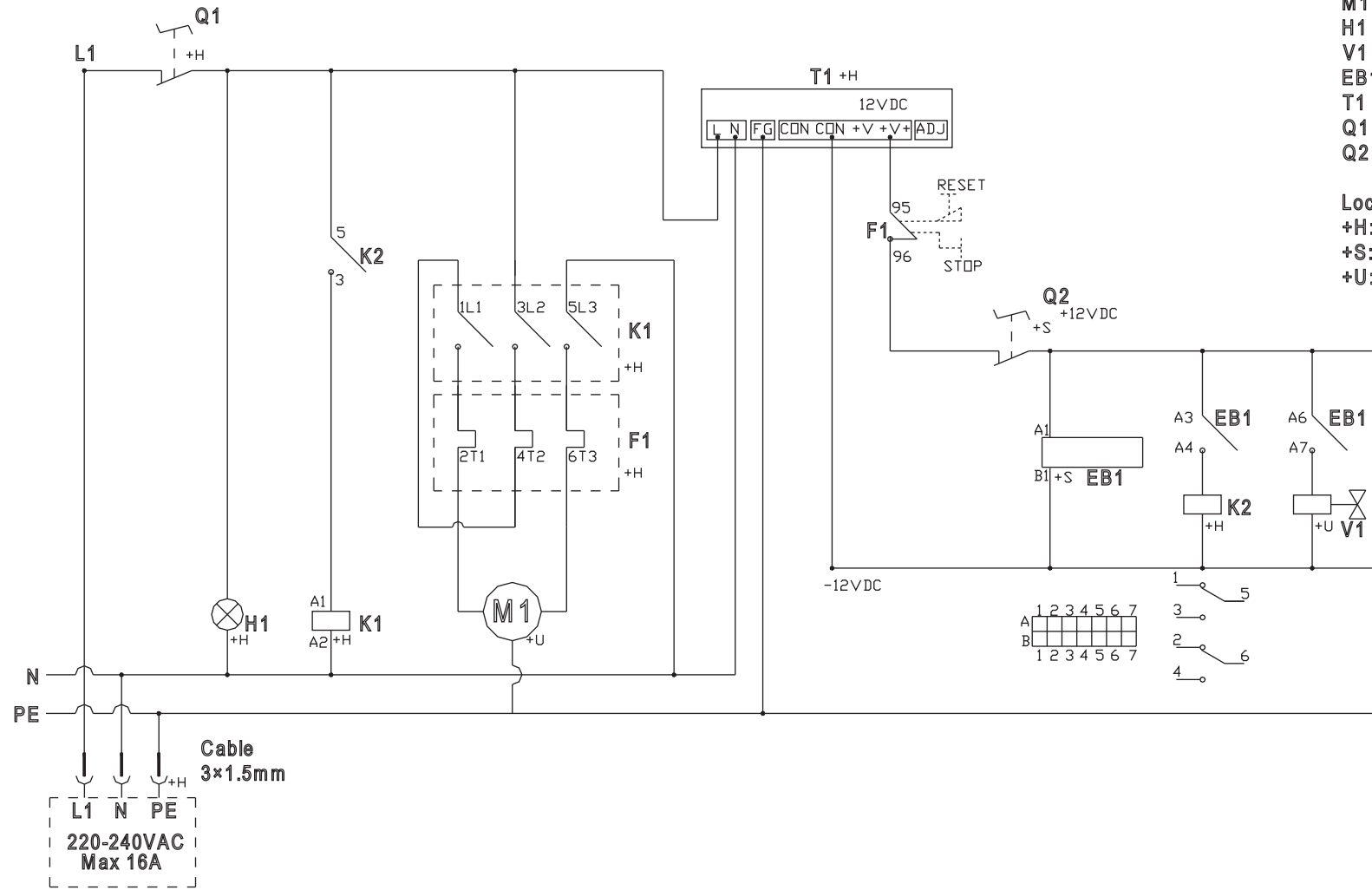
Pos. no.	Part no.	Descriptions
	800-006-000	Main Supply
1	800-006-010	Main Switch Box with Front Cover
2	800-006-020	Emergency Stop Button
3	800-006-030	Power Indicating Light
4	800-006-040	Plug Typ 2623 16A-5P (not show)
5	800-006-050	Socket Typ 535 16A-5P
6	800-006-060	Thermal Overload Relay LRD21C
7	800-006-070	Contactor LC1D18M7C 7.5kW 380V
8	800-006-080	Transformer
9	800-006-090	Relay FUJI JQX-13F-2Z
10	800-006-100	Connecting Element

Explosive Drawing and Spare Part List

Control Panel



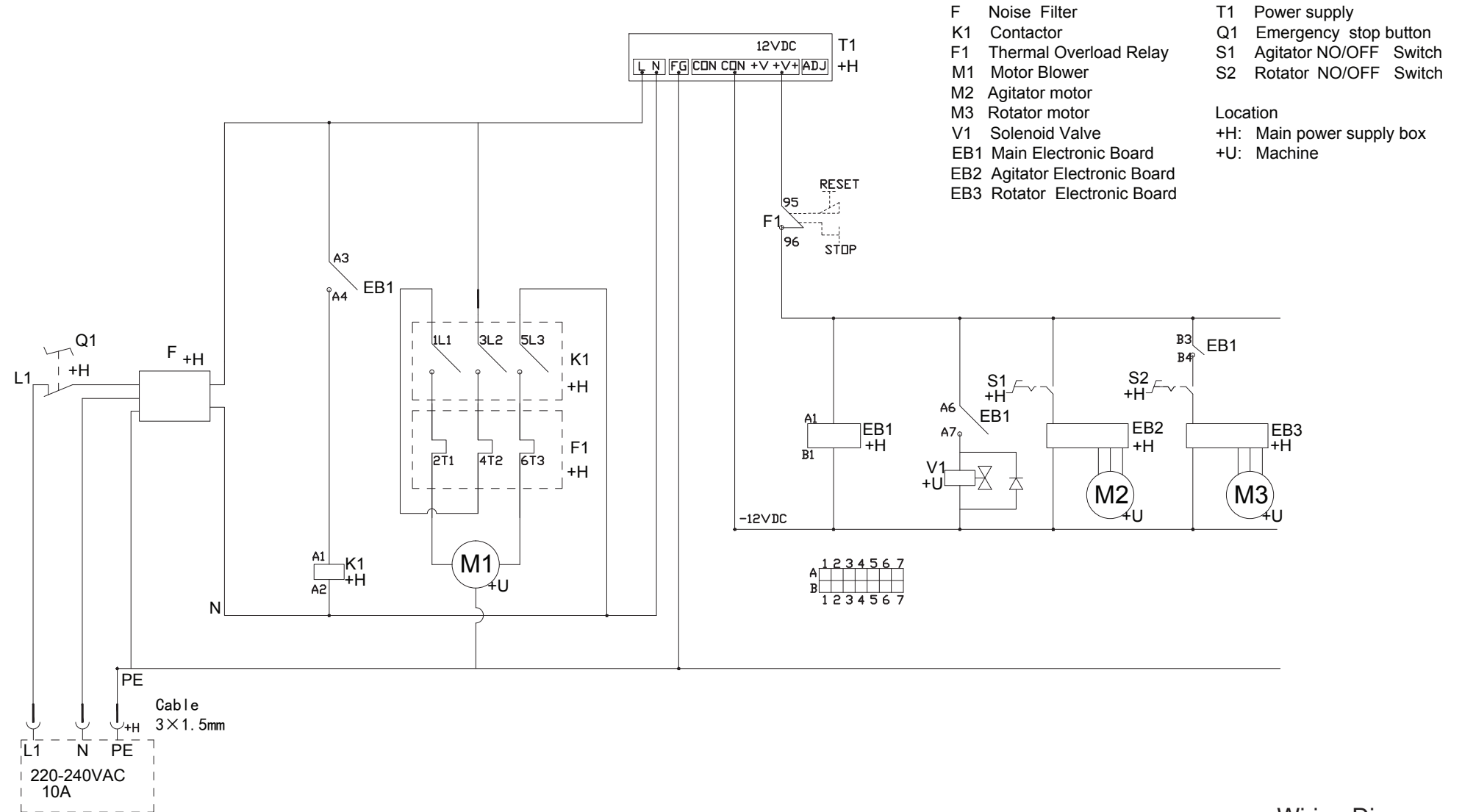
Pos. no.	Part no.	Descriptions
	800-007-000	Control Panel
1	800-007-010	Control Box with Front Cover
2	800-006-020	Emergency Stop Button
3	800-007-030	Main Electronic Board
4	800-006-100	Connecting Element



- K1 Contactor
- F1 Thermal Overload Relay
- K2 Relay
- M1 Motor Blower
- H1 Main Power Indicating light
- V1 Solenoid Valve
- EB1 Main Electronic Board
- T1 Transformer
- Q1 Emergency stop button
- Q2 Emergency stop button

- Location
- +H: Main power supply box
 - +S: Control box
 - +U: Machine

Wiring Diagram
UE-1



Wiring Diagram
UE-1 TOP