

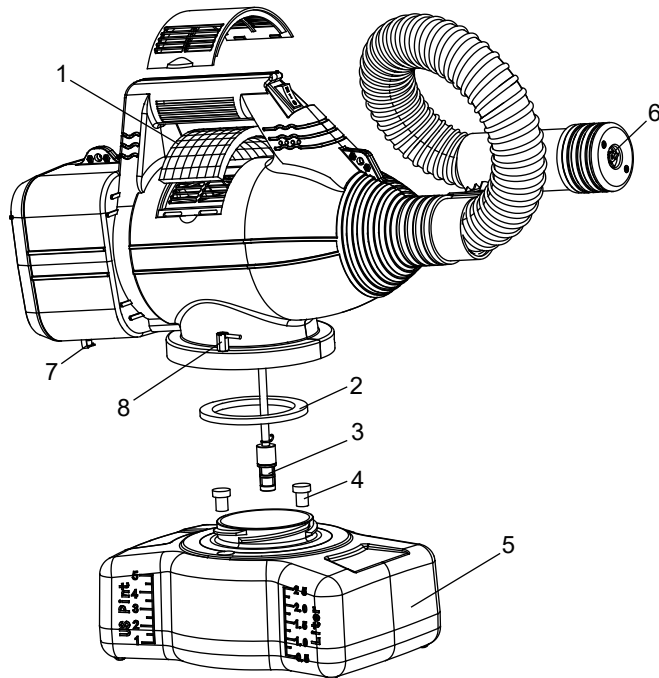
10 Maintenance

To ensure the appliance is ready for use at all times, we give following recommendations for standard maintenance.

- 10.1 Rinse solution tank (5) with a suitable cleaning agent diluent or diluent approximate 1/4 L (16 foz) of water in the solution tank, shake well and fog to clear the pipe system.
- 10.2 Periodically check air filter (1) to keep it dry and cleanliness.

⚠ If motor does not breathe a sufficient quantity of clean air, the appliance operation will be inefficient and motor could be overheated.

⚠ If appliance runs in a confined area, mist inhaled through air filter can cause motor short circuit.



- 10.3 Check tank gasket (2), replace it if necessary.
- 10.4 Clean solution filter (3) and ventilation filter (4) of solution tank. Take out filters and rinse them with running water to remove clinging particles.
- 10.5 Clean nozzle (6) to prevent clogging.
 - do not insert metal objects into the tip orifices
 - cleaning detergent or solvent can be used to soak the nozzle (do not use ammonia which can corrode brass)
 - soak nozzle in warm, soapy water
 - blow compressed air through back and front of nozzle
- 10.6 When the appliance is not in use, cover charging socket by protector (7) to keep it from dirt and wet.

⚠ **Charge battery pack at least 2 hours every 2 months even when the battery is not used.**

11. Certificate Of Guarantee

AIROFOG MACHINERY CO., LTD. (called AIROFOG) guarantees “Airofog ULV Cold Fogger” to be free of defects in materials or workmanship to the original purchaser for a period of one (1) year, on labour and parts which are not subject to usual wear. Single battery has six months warranty.

During this period, AIROFOG will replace and/or repair the parts with material and/or manufacturing faults (on the exclusive judgement of our technical department) free of charge.

The despatch and return expenses will be borne by the customer.

The guarantee does not cover any damage occurred during transport or by incorrect handling, tempering, improper use, the use of non-recommended products and so on.

Under no circumstances will AIROFOG be liable for damages due to improper use or application. Under no circumstances will AIROFOG be responsible for damages done to any property or persons.