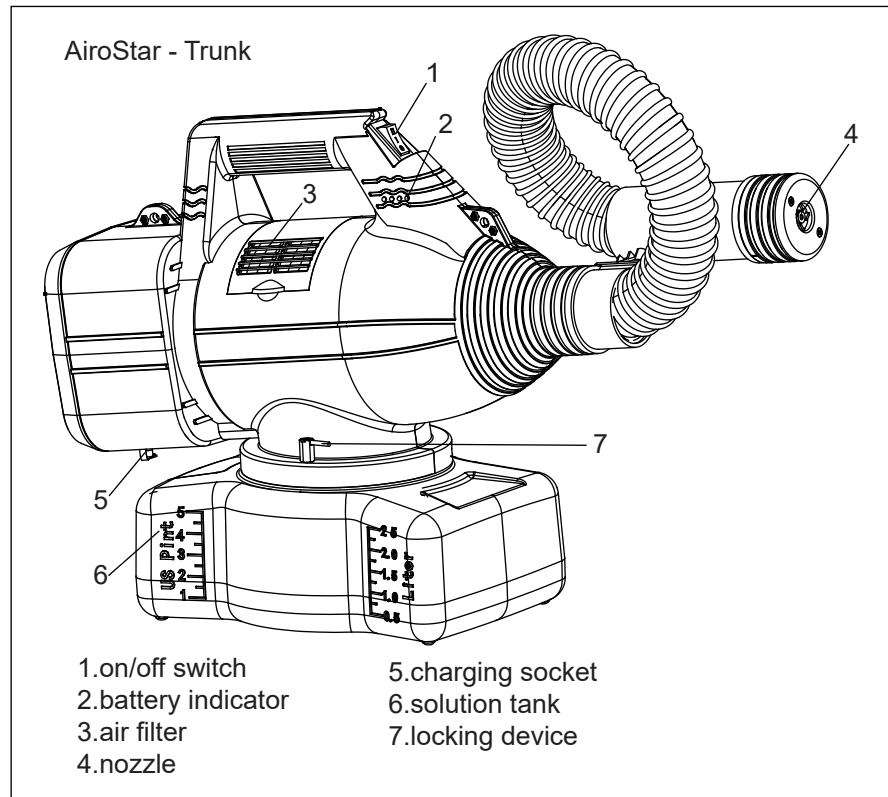


## 1. Main Features

AiroStar is Airofog's latest patented innovation.

This high-efficiency portable cordless cold fogger is the ideal appliance for application both indoor and outdoor. By the unique mechanical design and modern electronics technology, this appliance is able to deliver a consistent fine aerosol throughout the whole fogging procedure, its battery is smartly programmed for recording the charging cycle numbers and interval time, its lower noise decible gives operator a more comfortable using experience.



## 2. Specifications

AiroStar Technical data	
Li-ion battery	24VDC, 11.6Ah UN38.3 / UN3480 / UN3481 certified
charging time	approx. 4.5 hour
running time, approx.	※ 1 hour continuously by one full charge
fan motor	brushless
solution discharge	diaphragm pump
solution tank	polyethylene, UV-resistant
capacity	2.5L (5 US pint)
filling	wide-mouth opening Ø70mm (2 3/4 inch)
flow rate, water	approx. 2.5 / 4.5 / 7 L/hr (5 / 9.5 / 15 US Pint/hr)
fogging mode	ULV (Ultra-Low-Volume), LV
fogging system	automatic
fogging start	after fan runs
fogging stop	before fan stops
fogging distance	approx. 11m (36 feet) in verticle, indoor
application solution	water-based / oil-based (non-flammable liquid) acid solution (on request)
extension hose	AiroStar-Trunk: 50cm (20 inch)
noise level	75dBA
dimension	approx. 39 x 17 x 35cm (15.4 x 6.7 x 13.8 inch)
net weight, with battery	approx. 3.7kg (8.1 pound)
Standard Accessories	
battery charger	input: 100-240VAC, 50/60Hz 2.5A (max.) output: 29.4VDC, 3.0A
shoulder strap	width 50mm (2 inch) with shoulder pad
dosage nozzle	approx. red 7L/h (15 US Pint/h), installed blue 4.5L/h (9.5 US Pint/h) white 2.5L/h (5 US Pint/h)
service kit	tank gasket / tank ventilation filter / air filter / solution filter / o-ring
※ Running time will vary depending on the battery level and temperature condition.	
Above data is based on the ambient temperature of 20°C (68°F).	
Airofog Machinery Co., Ltd. reserves the right to alter specifications without obligation.	